

CLASSIC STEEL



16-3 X 19-7 X 30-2 TECH-RIO-2FT RAD RIGHT

PART#: ISK-RR-1630-24-STD

SURFACE AREA: (ft<sup>2</sup>): 468

PERIMETER: 87'-0"

DATE: 01/01/07

LINER AREA (ft<sup>2</sup>): 490

VOLUME (US Gal): 13,032

SCALE: 1/8" = 1'-0"

SFTY COVER AREA (ft<sup>2</sup>): 694

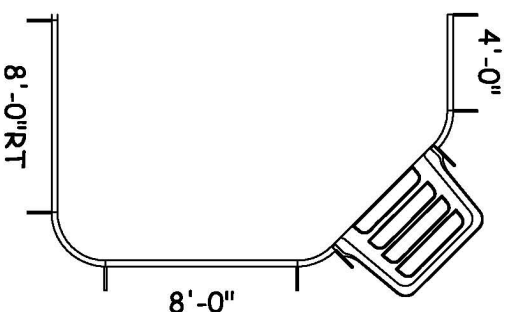
VOLUME (Litres): 49,331



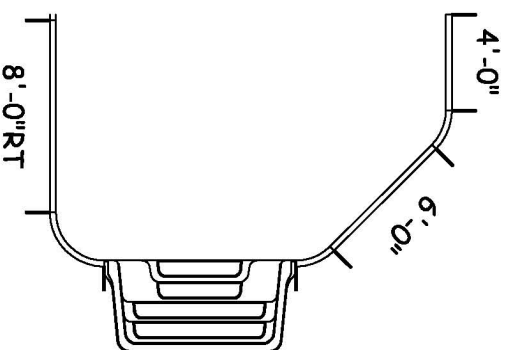
NON-DIVING POOL  
USE OF DIVING EQUIPMENT  
IS PROHIBITED

MEETS DEPTH AND SHAPE MINIMUM STANDARD ANS/SP15-2003

6' STEP

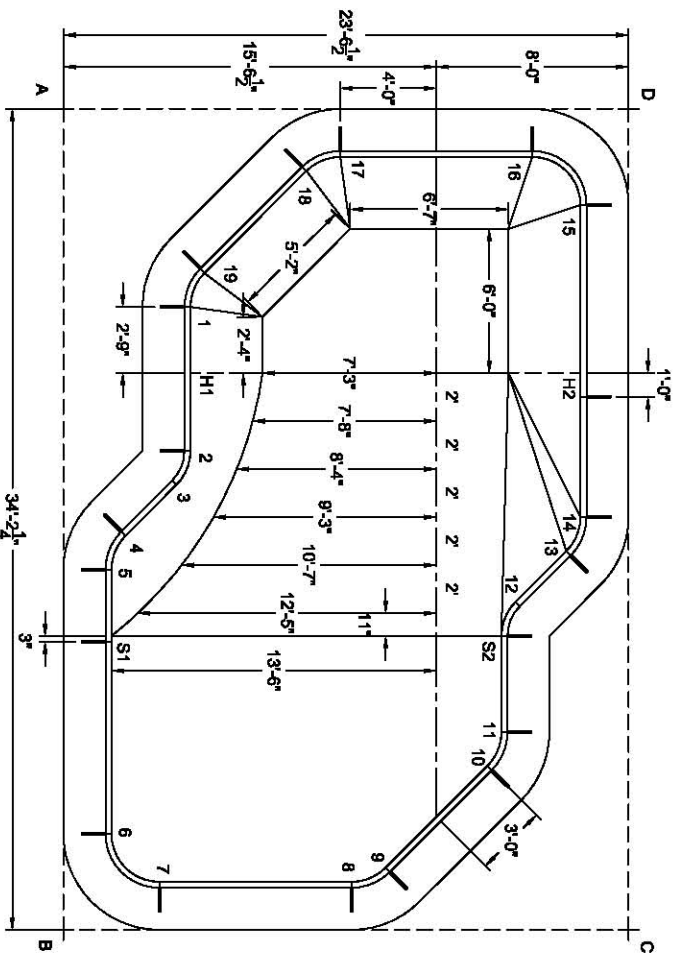


8' STEP



DWG#: CLRR24S1630R07

SHEET: 1 OF 2



	A	B	C	D
1	9'-9 1/2"	26'-5 3/4"	31'-8 3/4"	20'-0 1/4"
2	15'-2 1/4"	20'-7 3/4"	27'-0 1/2"	23'-1 3/4"
3	16'-4 1/4"	19'-1 1/2"	26'-5"	24'-5 3/4"
4	17'-11 1/2"	16'-7 1/2"	26'-7 1/4"	27'-5 3/4"
5	19'-3 1/2"	15'-1 1/2"	26'-3"	28'-10 1/4"
6	30'-3"	4'-5 3/4"	21'-10 3/4"	37'-1"
7	32'-5 1/4"	4'-5 3/4"	19'-7 3/4"	37'-7 3/4"
8	34'-4 1/4"	12'-2"	11'-8 1/2"	34'-2 1/4"
9	34'-4"	13'-8"	10'-5 1/4"	33'-2 1/4"
10	32'-6 3/4"	18'-11 1/4"	9'-0"	27'-11 3/4"
11	31'-8 3/4"	20'-0 1/4"	9'-9 1/2"	26'-5 3/4"
12	27'-10 1/4"	23'-3"	14'-5 1/4"	21'-0 3/4"
13	27'-10 3/4"	26'-2 3/4"	15'-11 3/4"	18'-7 1/4"
14	27'-5 1/4"	27'-6 3/4"	17'-3 3/4"	17'-1 1/2"
15	21'-10 3/4"	37'-1"	30'-3"	4'-5 3/4"
16	19'-7 3/4"	37'-7 3/4"	32'-5 1/4"	4'-5 3/4"
17	11'-8 1/2"	34'-2 1/4"	34'-4 1/4"	12'-2"
18	10'-5 1/4"	33'-2 1/4"	34'-4"	13'-8"
19	9'-0"	27'-11 3/4"	32'-6 3/4"	18'-11 1/4"
S1	22'-0 1/2"	12'-4 3/4"	24'-9 1/4"	30'-9"
S2	28'-6 1/2"	21'-11 3/4"	13'-4"	22'-7"
H1	12'-2 1/2"	23'-9 1/2"	29'-6"	21'-3 3/4"
H2	24'-2 1/4"	31'-7 3/4"	23'-3 1/4"	11'-2 1/4"
A	-	34'-2 1/4"	41'-6"	23'-6 1/2"

DIAGONALS	1 TO 2	6'-0"
1 TO 3	7'-5 1/4"	
1 TO 4	9'-11"	
1 TO 5	11'-5 1/4"	
1 TO 6	22'-2 1/4"	
1 TO 7	23'-11 3/4"	
1 TO 8	24'-10 1/2"	
1 TO 9	24'-8 3/4"	
1 TO 10	22'-9 1/4"	
1 TO S1	14'-1 1/4"	
1 TO S2	18'-10 1/4"	
1 TO H1	2'-9"	
1 TO H2	16'-5 3/4"	
2 TO 3	1'-6 1/4"	
2 TO 4	4'-5 1/2"	
2 TO 5	5'-11 1/4"	
2 TO 6	16'-3 1/2"	
2 TO 7	18'-0"	
2 TO 8	19'-2"	
2 TO 9	19'-2"	
2 TO 10	18'-0 1/4"	
2 TO S1	8'-4 1/2"	
2 TO S2	15'-0 3/4"	
2 TO H1	3'-3"	
2 TO H2	16'-6 3/4"	
11 TO 12	5'-5 1/4"	
11 TO 13	8'-0"	
11 TO 14	9'-6 1/2"	
11 TO 15	22'-2 1/4"	
11 TO 16	23'-11 3/4"	
11 TO 17	24'-10 1/2"	
11 TO 18	24'-8 3/4"	
11 TO 19	22'-9 1/4"	
11 TO S1	16'-8 3/4"	
11 TO S2	4'-0"	
11 TO H1	19'-9 1/4"	
11 TO H2	15'-3 3/4"	

BILL OF MATERIALS	NO	6'	8'
8'-0" STRAIGHT - PLAN	2	2	1
8'-0" STRAIGHT - HR	2	2	2
6'-0" STRAIGHT - HS108COM	1	1	1
6'-0" STRAIGHT - PLAN	2	1	2
5'-0" STRAIGHT - PLAN	1	1	1
4'-0" STRAIGHT - PLAN	1	1	1
3'-0" STRAIGHT - PLAN	3	3	3
3'-2" X 2" RADIUS 90° CORNER	2	2	2
1'-7" X 2" RADIUS 45° CORNER	6	6	6
1'-7" X 2" REV/RAD 45° CORNER	2	2	2
A-FRAME	20	20	20
HARDWARE, STRAIGHT 150 PACK	2	2	2
REBAR, STAKE 18 IN. (25 PACK)	2	2	2
OPTIONAL DECK SUPPORT	33	32	31

DIAGONALS	15 TO 16	2'-10"
15 TO 17	10'-2 1/2"	
15 TO 18	11'-6"	
15 TO 19	15'-11"	
15 TO S1	26'-6 1/4"	
15 TO S2	18'-3"	
15 TO H1	17'-8 1/4"	
15 TO H2	7'-0"	
S1 TO S2	16'-3"	
S1 TO H1	11'-5 1/4"	
S1 TO H2	22'-4 3/4"	
S2 TO H1	18'-11 1/2"	
S2 TO H2	11'-5 1/4"	
H1 TO H2	16'-3"	