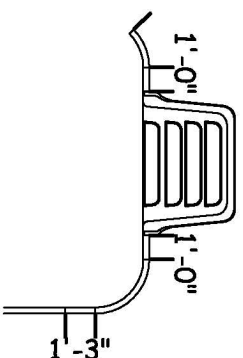
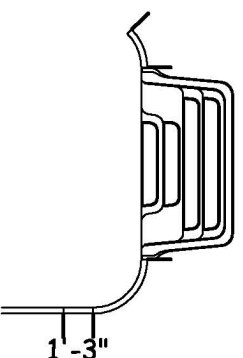


6' STEP



8' STEP



CLASSIC STEEL

15-3 X 12-0 X 32-0 TECH-P RIGHT



PART#: ISK-PP-1532-24-STD

SURFACE AREA: (ft²): 421

PERIMETER: 89'-1"

DATE: 01/01/07

LINER AREA (ft²): 433

VOLUME (US Gal): 11,724

SCALE: 1/8" = 1'-0"

SFTY COVER AREA (ft²): 531

VOLUME (Litres): 44,380



NON-DIVING POOL
USE OF DIVING EQUIPMENT
IS PROHIBITED

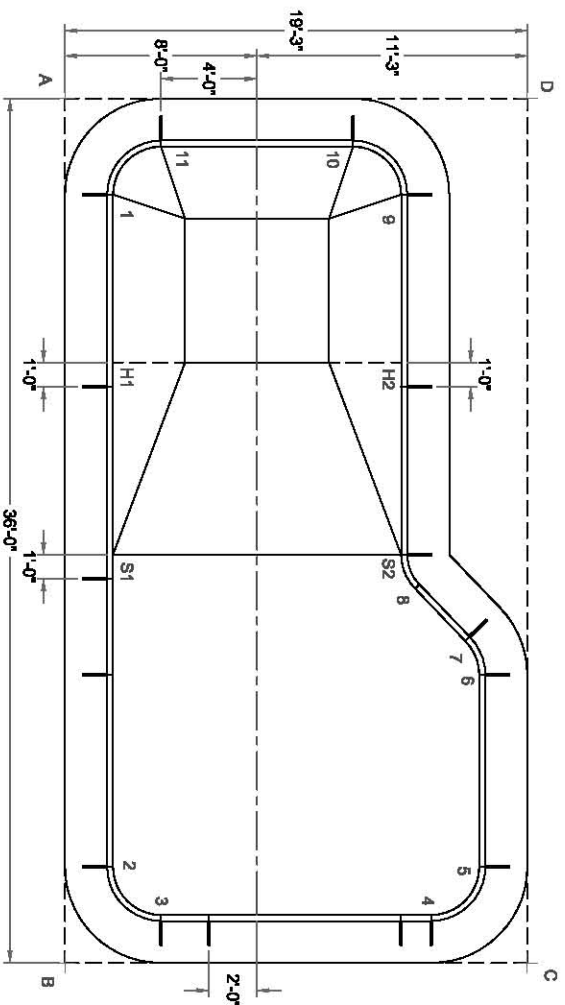
MEETS DEPTH AND SHAPE MINIMUM STANDARD ANS/SP15-2003

DWG#:

CLPP24S1532R07

SHEET: 1 OF 2

TECH-P



	A	B	C	D
1	4'-5 3/4"	32'-0 3/4"	36'-4 1/4"	17'-8 1/2"
2	32'-0 3/4"	4'-5 3/4"	17'-8 1/2"	36'-4 1/4"
3	34'-2 3/4"	4'-5 3/4"	15'-4 1/2"	37'-3 1/4"
4	37'-3 1/4"	15'-4 1/2"	4'-5 3/4"	34'-2 3/4"
5	36'-4 1/4"	17'-8 1/2"	4'-5 3/4"	32'-0 3/4"
6	29'-6 3/4"	21'-0 1/4"	12'-2"	24'-1"
7	28'-0 3/4"	21'-4 3/4"	13'-8"	22'-8 3/4"
8	25'-1"	21'-4 1/4"	16'-3 1/4"	20'-11 1/4"
9	14'-6 3/4"	34'-11 1/4"	32'-5 1/4"	6'-7 1/4"
10	12'-2"	36'-0 3/4"	34'-9 1/4"	7'-6 1/4"
11	4'-5 3/4"	34'-2 3/4"	37'-3 1/4"	15'-4 1/2"
S1	19'-1 1/4"	17'-1 1/2"	24'-2 3/4"	25'-8"
S2	23'-7 1/4"	22'-0 1/4"	17'-9 1/2"	19'-8 1/2"
H1	11'-2 1/4"	25'-1"	30'-4 1/2"	20'-5 1/2"
H2	17'-9 3/4"	28'-7 3/4"	25'-6 1/2"	12'-2 1/4"
A	-	36'-0"	40'-10"	19'-3"

DIAGONALS	
1 TO 3	30'-0 3/4"
1 TO 4	32'-9 1/2"
1 TO 5	31'-10 1/2"
1 TO 6	25'-1 3/4"
1 TO 7	23'-8"
1 TO 8	20'-8 1/4"
1 TO 9	12'-0"
1 TO 10	10'-2 1/2"
1 TO 11	2'-10"
1 TO S1	15'-0"
1 TO S2	19'-2 1/2"
1 TO H1	7'-0"
1 TO H2	13'-10 3/4"
2 TO 3	2'-10"
2 TO 4	13'-4 3/4"
2 TO 5	15'-3"
2 TO 6	17'-2 3/4"
2 TO 7	17'-5"
2 TO 8	17'-1 1/4"
2 TO 9	30'-5 1/2"
2 TO 10	31'-7 1/2"
2 TO 11	30'-0 3/4"
2 TO S1	13'-0"
2 TO S2	17'-8 1/4"
2 TO H1	21'-0"
2 TO H2	24'-2 1/4"
3 TO 5	13'-4 3/4"
3 TO 6	16'-7 1/4"
3 TO 7	17'-0 1/2"
3 TO 8	17'-2 3/4"
3 TO 9	31'-7 1/2"
3 TO 10	32'-11 3/4"
3 TO 11	32'-0"
3 TO S1	15'-1 1/2"
3 TO S2	18'-0 1/4"
3 TO H1	23'-1"
3 TO H2	25'-1"
4 TO 5	2'-10"
4 TO 6	10'-2 1/2"
4 TO 7	11'-6"
4 TO 8	13'-7 1/4"
4 TO 9	30'-0 1/4"
4 TO 10	32'-2"
4 TO 11	33'-11"
4 TO S1	20'-0 1/4"
4 TO S2	15'-0 1/2"
4 TO H1	26'-6 1/2"
4 TO H2	23'-0 1/2"

BILL OF MATERIALS DESCRIPTION	STEP		
	NO	6'	8'
8"Ø STRAIGHT - HS10850M	1	1	1
8"Ø STRAIGHT - PLAIN	4	3	3
8"Ø STRAIGHT - HR	2	2	2
7"Ø STRAIGHT - PLAIN	1	1	1
4"Ø STRAIGHT - PLAIN	1	1	1
3"Ø STRAIGHT - PLAIN	1	1	1
2"Ø STRAIGHT - PLAIN	1	1	1
1"3" STRAIGHT - PLAIN	1	1	1
1"Ø STRAIGHT - PLAIN	-	2	-
3"2 X 2"Ø RADIUS 90° CORNER	4	4	4
1"7 X 2"Ø RADIUS 45° CORNER	1	1	1
1"7 X 2"Ø REV/RAD 45° CORNER	1	1	1
A-FRAME	17	19	17
HARDWARE: STRAIGHT 150 PACK	1	1	1
REBAR, STAKE 18 in. (25 PACK)	2	2	2
OPTIONAL DECK SUPPORT	34	34	32