

CLASSIC STEEL



16-0 X 19-0 X 34-1 LAZY-L OVAL LEFT

PART#: ISK-HI-1634-48-STD

SURFACE AREA (ft<sup>2</sup>): 493

PERIMETER: 87'-0"

DATE: 01/01/07

LINER AREA (ft<sup>2</sup>): 529

VOLUME (US Gal): 13,729

SCALE: 1/8" = 1'-0"

SFTY COVER AREA (ft<sup>2</sup>): 631

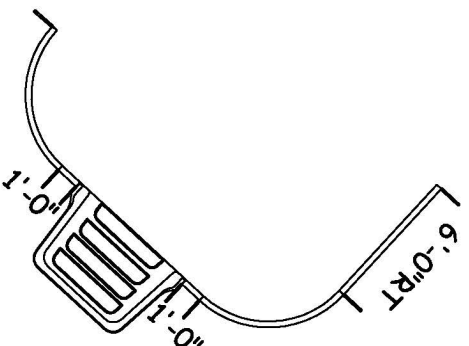
VOLUME (Litres): 51,970



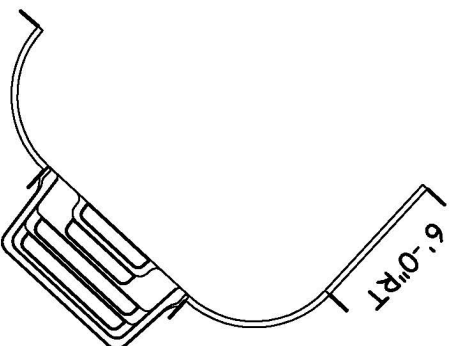
NON-DIVING POOL  
USE OF DIVING EQUIPMENT  
IS PROHIBITED

MEETS DEPTH AND SHAPE MINIMUM STANDARD ANS/SP15-2003

6' STEP



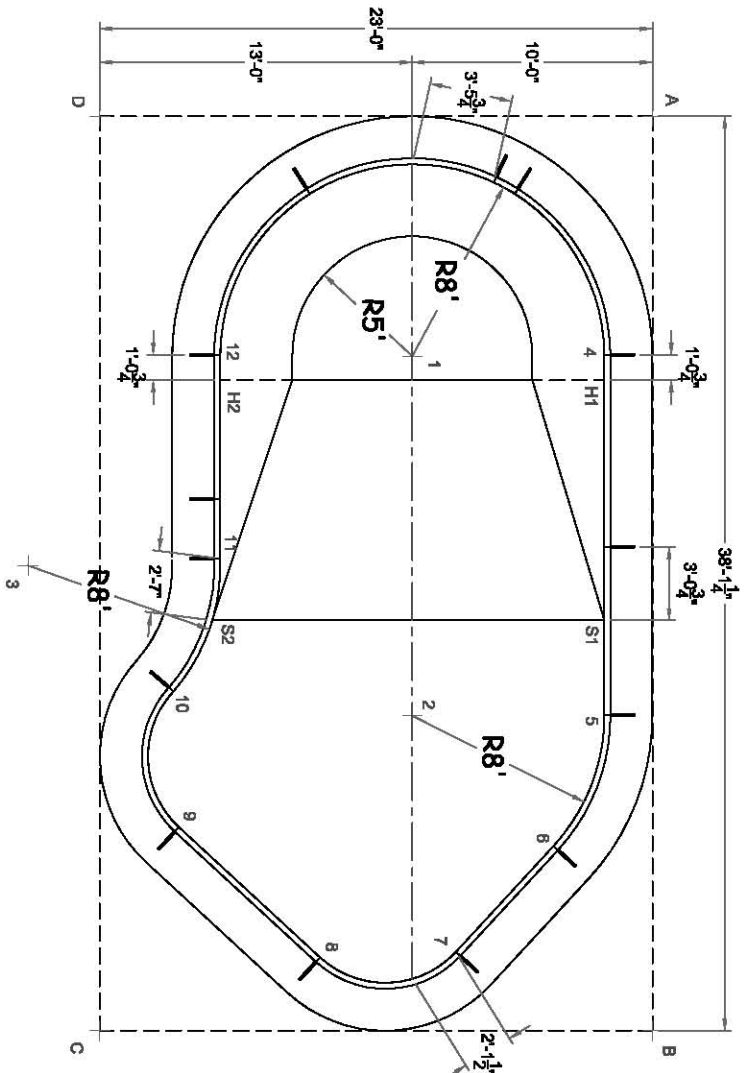
8' STEP



DWG#: CLHI48S1634L07

SHEET: 1 OF 2

**LAZY-L OVAL**



	A	B	C	D
1	14'-1 3/4"	29'-9 3/4"	30'-11 1/2"	16'-5"
2	26'-10 3/4"	18'-6"	18'-5 3/4"	28'-2"
3	32'-0 1/2"	32'-5"	19'-7 1/4"	18'-11 1/2"
4	10'-1 1/2"	28'-2 3/4"	35'-1 1/2"	23'-2 3/4"
5	25'-0 1/4"	13'-3 3/4"	24'-9 1/2"	32'-7 1/4"
6	30'-8"	8'-8 3/4"	20'-4 3/4"	35'-9 1/2"
7	35'-9"	8'-9 3/4"	15'-2 1/4"	37'-10"
8	37'-8"	14'-2"	9'-8"	36'-2 1/2"
9	35'-7"	21'-5 1/2"	9'-1 1/4"	29'-9 1/2"
10	31'-2 1/4"	24'-5 1/2"	14'-5 1/2"	24'-1 3/4"
11	25'-9 1/4"	26'-8"	20'-3 1/2"	19'-1 1/4"
12	20'-6 3/4"	33'-5"	28'-7 1/4"	11'-1 1/2"
S1	21'-1 1/4"	17'-2 1/2"	27'-1"	29'-8 1/2"
S2	27'-10 1/2"	25'-0 3/4"	17'-8 3/4"	21'-6 1/4"
H1	11'-2 1/4"	27'-2"	34'-3 1/2"	23'-8 1/2"
H2	21'-1 1/4"	32'-6 1/4"	27'-6 3/4"	12'-1"
A	-	38'-1 1/4"	44'-6"	23'-0"

DIAGONALS		
1 TO 2	14'-11 3/4"	
1 TO 3	18'-2 1/2"	
1 TO 4	8'-0"	
1 TO 5	16'-11 1/4"	
1 TO S1	13'-7 1/4"	
1 TO S2	13'-9 1/2"	
1 TO H1	8'-0 3/4"	
1 TO H2	8'-0 3/4"	
2 TO 3	17'-2"	
2 TO 4	17'-0 1/2"	
2 TO 5	8'-0"	
2 TO S1	8'-11 1/4"	
2 TO S2	9'-2 3/4"	
2 TO H1	16'-1 1/4"	
2 TO H2	16'-1 1/4"	
3 TO 4	25'-6 3/4"	
3 TO 5	24'-9 1/2"	
3 TO S1	24'-1 1/4"	
3 TO S2	8'-0"	
3 TO H1	25'-2 1/2"	
3 TO H2	11'-1 1/2"	
4 TO 5	15'-0"	
4 TO S1	11'-0 3/4"	
4 TO S2	19'-8 3/4"	
4 TO H1	1'-0 3/4"	
4 TO H2	16'-0 1/2"	
5 TO 6	5'-10 1/4"	
5 TO 7	11'-7 3/4"	
5 TO 8	15'-6 3/4"	
5 TO 9	18'-4"	
5 TO 10	17'-11 3/4"	
5 TO 11	17'-3 1/4"	
5 TO 12	21'-11 1/4"	
5 TO S1	3'-11 1/4"	
5 TO S2	16'-9 1/2"	
5 TO H1	13'-11 1/4"	
5 TO H2	21'-2 1/2"	
6 TO 7	6'-0"	
6 TO 8	10'-9 1/4"	
6 TO 9	15'-7 1/2"	
6 TO 10	17'-1"	
6 TO 11	18'-4"	
6 TO 12	24'-8 3/4"	
6 TO S1	9'-7 1/2"	
6 TO S2	17'-0 1/2"	
6 TO H1	19'-6 1/4"	
6 TO H2	23'-10 1/4"	
8 TO 9	8'-0"	
8 TO 10	12'-7 3/4"	

DESCRIPTION	NO	6'	8'
6"Ø STRAIGHT - HS10850M	1	1	1
6"Ø STRAIGHT - PLAIN	1	-	-
7"Ø STRAIGHT - PLAIN	1	1	1
6"Ø STRAIGHT - PLAIN	1	1	1
6"Ø STRAIGHT - HR	1	1	1
2"Ø STRAIGHT - PLAIN	1	1	1
1"Ø STRAIGHT - PLAIN	-	2	-
6"Ø X 8"Ø RADIUS - PLAIN	2	2	2
6"Ø X 8"Ø RADIUS - HR	1	1	1
6"Ø X 8"Ø RADIUS - PLAIN	1	1	1
1"Ø X 8"Ø RADIUS - PLAIN	1	1	1
6"Ø X 8"Ø REV RAD - PLAIN	1	1	1
6"Ø X 4"Ø RADIUS 90° CORNER	2	2	2
A-FRAME	14	18	14
HARDWARE STRAIGHT 150 PACK	1	1	1
REBAR STAKE 18 IN. (25 PACK)	2	2	2
OPTIONAL DECK SUPPORT	32	32	30

DIAGONALS		
8 TO 11	17'-1 1/2"	
8 TO 12	25'-5 1/4"	
8 TO S1	18'-4 1/4"	
8 TO S2	14'-8 3/4"	
8 TO H1	26'-9 1/2"	
8 TO H2	24'-4 3/4"	
9 TO 10	5'-8"	
9 TO 11	11'-3 3/4"	
9 TO 12	19'-9"	
9 TO S1	19'-8 1/2"	
9 TO S2	8'-8 3/4"	
9 TO H1	25'-8 1/2"	
9 TO H2	18'-8 1/4"	
S1 TO S2	16'-4"	
S1 TO H1	10'-0"	
S1 TO H2	18'-10 1/2"	
S2 TO H1	19'-1 3/4"	
S2 TO H2	10'-0"	
H1 TO H2	18'-0"	