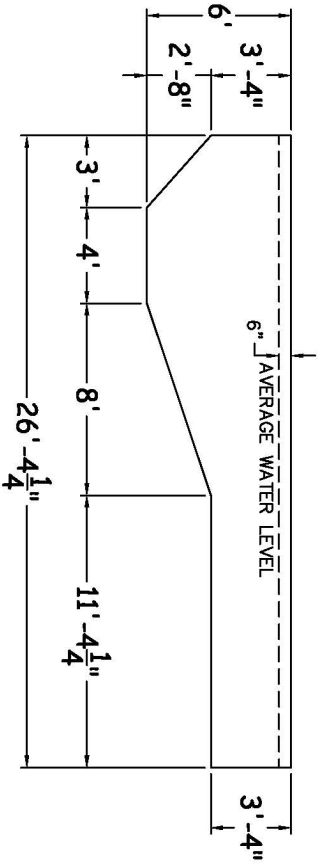
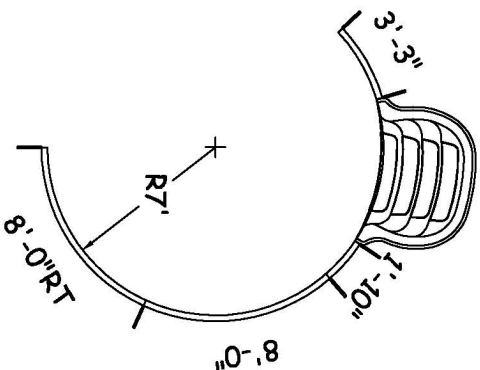


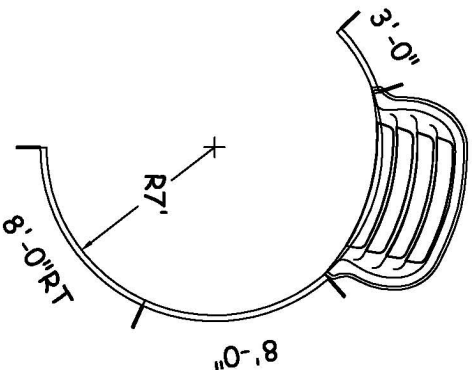
A-FRAMES LOCATED AT  
PANEL JOINTS AS SHOWN



6' STEP



8' STEP



**CLASSIC STEEL**

**14-0 X 11-0 X 26-4 CAPE MAY RIGHT**



PART#: ISK-NO-1426-00-STD

SURFACE AREA: (ft<sup>2</sup>): 289

PERIMETER: 67'-9"

DATE: 01/01/07

LINER AREA (ft<sup>2</sup>): 369

VOLUME (US Gal): 8,048

SCALE: 1/8" = 1'-0"

SFTY COVER AREA (ft<sup>2</sup>): 499

VOLUME (Litres): 30,465



**NON-DIVING POOL**  
USE OF DIVING EQUIPMENT  
IS PROHIBITED

MEETS DEPTH AND SHAPE MINIMUM STANDARD ANS/SP15-2003

DWG#:

**CLN000S1426R07**

SHEET: 1 OF 2

**CAPE MAY**

