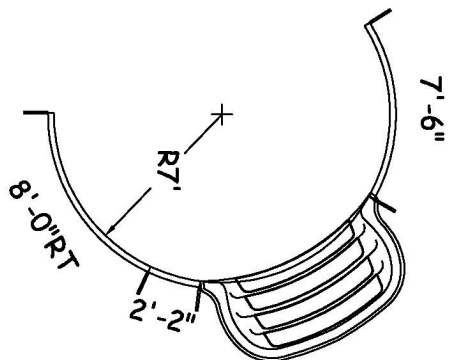


6' STEP



8' STEP

CLASSIC STEEL

18-0 X 21-10 X 36-0 MOUNTAIN LAKE RIGHT



PART#: ISK-ML-2236-00-STD

DATE: 01/01/07

SCALE: 1/8" = 1'-0"

SURFACE AREA: (ft<sup>2</sup>): 541

LINER AREA (ft<sup>2</sup>): 648

SFTY COVER AREA (ft<sup>2</sup>): 968

PERIMETER: 94'-9"

VOLUME (US Gal): 17,759

VOLUME (Litres): 67,225



MEETS DEPTH AND SHAPE MINIMUM STANDARD ANS/INSP15-2003

DIVING/SLIDING EQUIPMENT SHALL BE DESIGNED FOR SWIMMING POOLS AND SHALL BE INSTALLED IN ACCORDANCE WITH THE DIVING/SLIDING EQUIPMENT MANUFACTURER'S SPECIFICATIONS. PLEASE CONTACT THE DIVING/SLIDING EQUIPMENT MANUFACTURER FOR THEIR SPECIFICATIONS.

DWG#: CLML00S22236R07

MOUNTAIN LAKE

