

CLASSIC STEEL
16-0 X 18-8 X 31-8 CALIFORNIAN LEFT

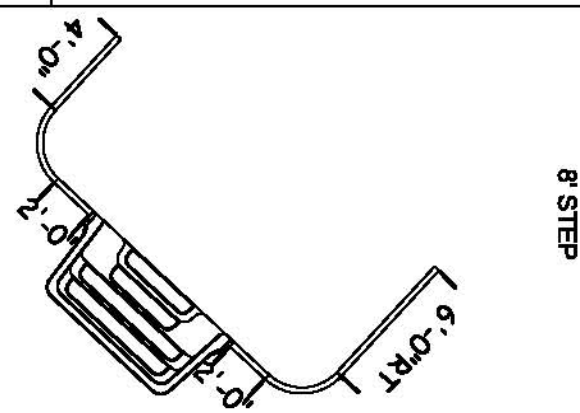
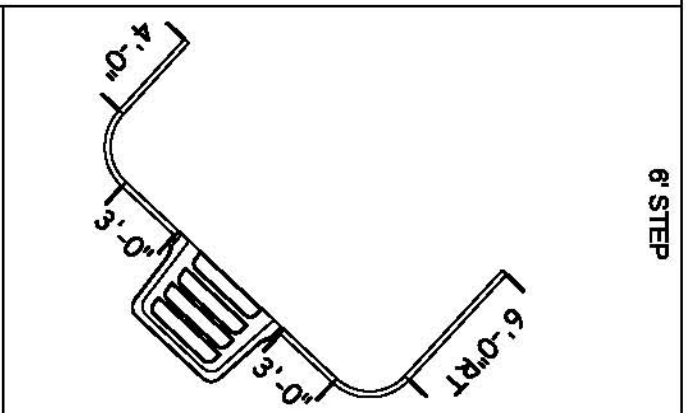
PART#: ISK-MIN-1632-24-STD	SURFACE AREA: (ft ²): 429	PERIMETER: 82'-7"
DATE: 01/01/07	LINER AREA (ft ²): 507	VOLUME (US Gal): 11,946
SCALE: 1/8" = 1'-0"	SFTY COVER AREA (ft ²): 751	VOLUME (Litres): 45,220



NON-DIVING POOL
 USE OF DIVING EQUIPMENT IS PROHIBITED

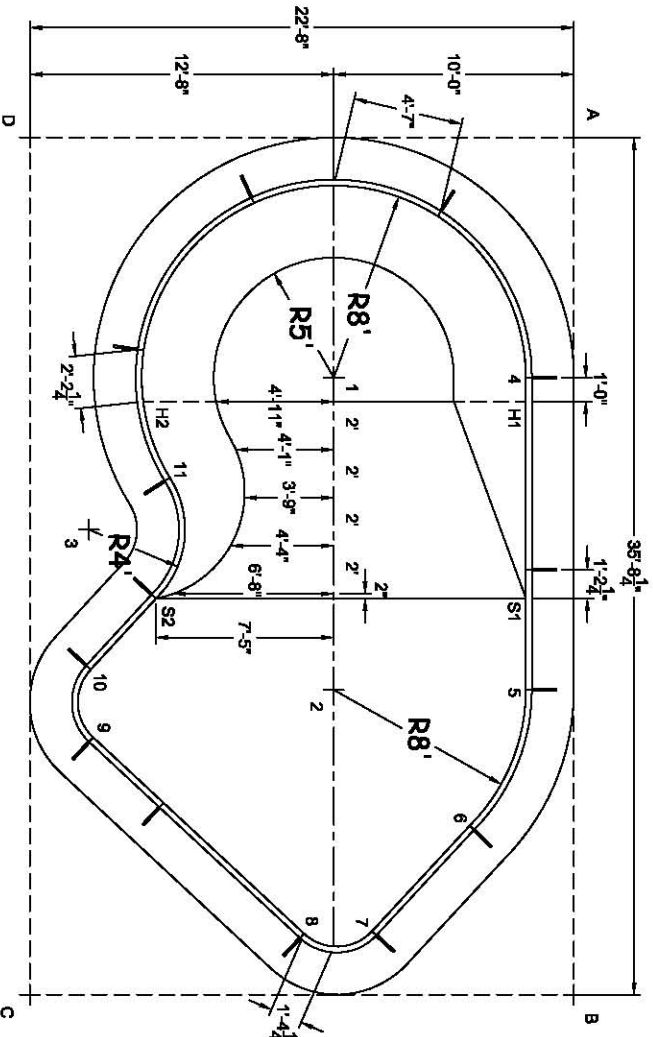
MEETS DEPTH AND SHAPE MINIMUM STANDARD ANSI/NSP 5-2003

CALIFORNIAN



DWG#: **CLMN24S1632L07**

SHEET: 1 OF 2



	A	B	C	D
1	14'-1 3/4"	27'-6 3/4"	28'-7 3/4"	16'-1 1/2"
2	25'-1"	16'-2"	17'-11"	26'-3"
3	25'-11 3/4"	27'-11 3/4"	19'-6 1/4"	16'-6 1/4"
4	10'-2 1/2"	25'-9 1/4"	32'-11 1/2"	22'-11 1/2"
5	23'-1"	12'-10 1/4"	24'-3"	30'-11"
6	28'-11 3/4"	8'-3 1/4"	19'-7 1/2"	34'-0 1/4"
7	34'-1 1/4"	8'-9 3/4"	14'-6"	36'-0"
8	35'-0 1/4"	11'-6 1/4"	11'-8 1/2"	35'-0 3/4"
9	32'-0 1/4"	22'-8 1/2"	11'-0 1/4"	25'-1 1/2"
10	29'-11 1/4"	24'-3"	13'-9 1/4"	22'-3 1/2"
11	22'-0"	27'-4"	22'-3 1/2"	15'-3 3/4"
S1	19'-3 1/2"	16'-7 1/2"	28'-5 1/4"	28'-2 1/2"
S2	25'-11"	23'-11 3/4"	17'-3 3/4"	19'-10 3/4"
H1	11'-2 1/4"	24'-9 1/4"	32'-2 1/4"	23'-4 3/4"
H2	21'-0 1/2"	30'-6 1/4"	25'-1 3/4"	11'-11 3/4"
A	-	35'-8 1/4"	42'-3 1/4"	22'-8"

DIAGONALS	1 TO 2	1 TO 3	1 TO 4	1 TO S1	1 TO S2	1 TO H1	1 TO H2	2 TO S1	2 TO S2	2 TO H1	2 TO H2	7 TO 8	7 TO 9	7 TO 10	7 TO 11	7 TO S1	7 TO S2	7 TO H1	7 TO H2																					
	13'-0"	12'-0"	8'-0"	12'-2 1/4"	11'-9 3/4"	8'-0 3/4"	8'-0"	8'-10 1/4"	8'-4"	14'-5"	14'-4 3/4"	13'-0"	18'-9 1/2"	23'-11"	24'-11 1/4"	23'-5 1/4"	21'-9 3/4"	15'-4 3/4"	9'-2 1/4"	17'-11 1/4"	1'-0"	15'-11 1/2"	6'-1 1/4"	11'-11"	13'-8 3/4"	18'-1 1/2"	17'-3 1/4"	19'-1 1/2"	9'-9"	16'-1 1/2"	17'-9 3/4"	22'-3 1/2"	2'-10"	14'-1 3/4"	16'-0"	20'-8 1/4"	15'-3 1/4"	16'-6 1/4"	22'-11 3/4"	24'-0 1/4"

BILL OF MATERIALS	NO	STEP
8-0" STRAIGHT - HS10850M	1	1
8-0" STRAIGHT - PLAN	1	-
6-0" STRAIGHT - HR	1	1
5-0" STRAIGHT - PLAN	1	1
4-0" STRAIGHT - PLAN	2	1
3-0" STRAIGHT - PLAN	-	2
2-0" STRAIGHT - PLAN	-	2
8-0" X 8-0" RADIUS - PLAN	2	2
8-0" X 8-0" RADIUS - HR	1	1
6-3" X 8-0" RADIUS - PLAN	1	1
5-6" X 8-0" RADIUS - PLAN	1	1
5-6" X 4-0" REV RAD - PLAN	1	1
3" X 2" X 2" RADIUS 90° CORNER	2	2
A-FRAME	14	15
HARDWARE STRAIGHT 150 PACK	2	2
REBAR STAKE 18" (25 PACK)	2	2
OPTIONAL DECK SUPPORT	31	29

DIAGONALS	8 TO 10	8 TO 11	8 TO S1	8 TO S2	8 TO H1	8 TO H2	9 TO 10	9 TO 11	9 TO S1	9 TO S2	9 TO H1	9 TO H2	10 TO 10	10 TO 11	10 TO S1	10 TO S2	10 TO H1	10 TO H2	11 TO 10	11 TO 11	11 TO S1	11 TO S2	11 TO H1	11 TO H2	12 TO 10	12 TO 11	12 TO S1	12 TO S2	12 TO H1	12 TO H2
	14'-1 3/4"	19'-9 1/2"	15'-3 1/4"	24'-0"	23'-1 3/4"	2'-10"	11'-3 1/4"	18'-11"	6'-4 1/4"	22'-9 3/4"	14'-1 3/4"	8'-7 3/4"	18'-4 1/4"	4'-0 1/4"	21'-3 1/4"	11'-4 1/2"	15'-8"	5'-0 3/4"	15'-2"	3'-4 1/4"	15'-4 3/4"	8'-2 1/4"	17'-11"	17'-5 1/4"	8'-2 1/2"	15'-11 1/4"				

16-0 X 18-8 X 31-8 CALIFORNIAN LEFT

DWG #: CLMN24S1632L07

DATE: 01/01/07

SHEET: 2 OF 2