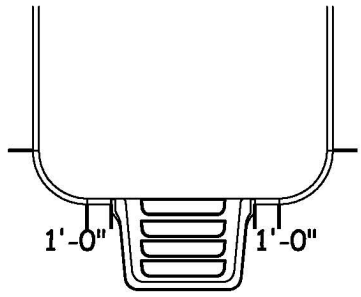
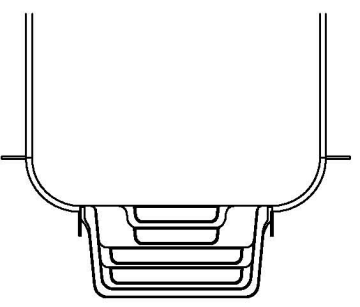


6' STEP



8' STEP



CLASSIC STEEL
12-0 X 24-0 COMMODORE

PART#: ISK-RE-1224-24-STD	SURFACE AREA: (ft ²): 285	PERIMETER: 68'-8"
DATE: 01/01/07	LINER AREA (ft ²): 288	VOLUME (US Gal): 7,936
SCALE: 1/8" = 1'-0"	SFTY COVER AREA (ft ²): 364	VOLUME (Litres): 30,041



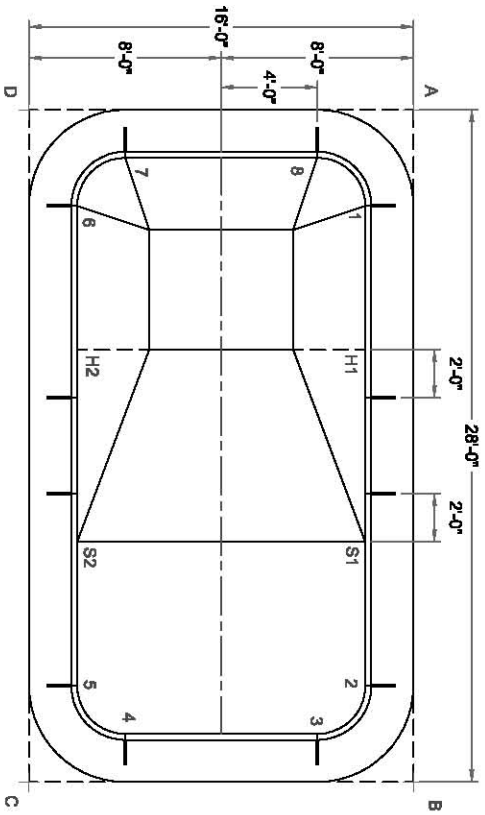
NON-DIVING POOL
USE OF DIVING EQUIPMENT
IS PROHIBITED

MEETS DEPTH AND SHAPE MINIMUM STANDARD ANS/SP15-2003

COMMODORE

DWG#: CLRE24S1224-07

SHEET: 1 OF 2



	A	B	C	D
1	4'-5 3/4"	24'-1"	27'-9 1/2"	14'-6 3/4"
2	24'-1"	4'-5 3/4"	14'-6 3/4"	27'-9 1/2"
3	26'-3 3/4"	4'-5 3/4"	12'-2"	28'-7 3/4"
4	28'-7 3/4"	12'-2"	4'-5 3/4"	26'-3 3/4"
5	27'-9 1/2"	14'-6 3/4"	4'-5 3/4"	24'-1"
6	14'-6 3/4"	27'-9 1/2"	24'-1"	4'-5 3/4"
7	12'-2"	28'-7 3/4"	26'-3 3/4"	4'-5 3/4"
8	4'-5 3/4"	26'-3 3/4"	28'-7 3/4"	12'-2"
S1	18'-1 1/4"	10'-2 1/2"	17'-2 1/2"	22'-9 3/4"
S2	22'-9 3/4"	17'-2 1/2"	10'-2 1/2"	18'-1 1/4"
H1	10'-2 1/2"	18'-1 1/4"	22'-9 3/4"	17'-2 1/2"
H2	17'-2 1/2"	22'-9 3/4"	18'-1 1/4"	10'-2 1/2"
A	-	28'-0"	32'-3"	16'-0"

BILL OF MATERIALS	STEP		
DESCRIPTION	NO	6"	8"
8'-0" STRAIGHT - HS10850M	1	1	1
8'-0" STRAIGHT - PLAIN	3	2	2
8'-0" STRAIGHT - HR	2	2	2
4'-0" STRAIGHT - PLAIN	2	2	2
1'-0" STRAIGHT - PLAIN	-	2	-
3'2" X 2'0" RADIUS 90° CORNER	4	4	4
A-FRAME	12	14	12
HARDWARE, STRAIGHT 150 PACK	1	1	1
REBAR, STAKE 18 IN. (25 PACK)	1	1	1
OPTIONAL DECK SUPPORT	26	27	25

DIAGONALS

1 TO 2	20'-0"
1 TO 3	22'-1"
1 TO 4	24'-2"
1 TO 5	23'-4"
1 TO 6	12'-0"
1 TO 7	10'-2 1/2"
1 TO 8	2'-10"
1 TO S1	14'-0"
1 TO S2	18'-5 1/4"
1 TO H1	6'-0"
1 TO H2	13'-5"
2 TO 3	2'-10"
2 TO 4	10'-2 1/2"
2 TO 5	12'-0"
2 TO 6	23'-4"
2 TO 7	24'-2"
2 TO 8	22'-1"
2 TO S1	6'-0"
2 TO S2	13'-5"
2 TO H1	14'-0"
2 TO H2	18'-5 1/4"
3 TO 4	8'-0"
3 TO 5	10'-2 1/2"
3 TO 6	24'-2"
3 TO 7	25'-3 1/2"
3 TO 8	24'-0"
3 TO S1	8'-3"
3 TO S2	12'-9 3/4"
3 TO H1	16'-1 1/2"
3 TO H2	18'-10 1/2"