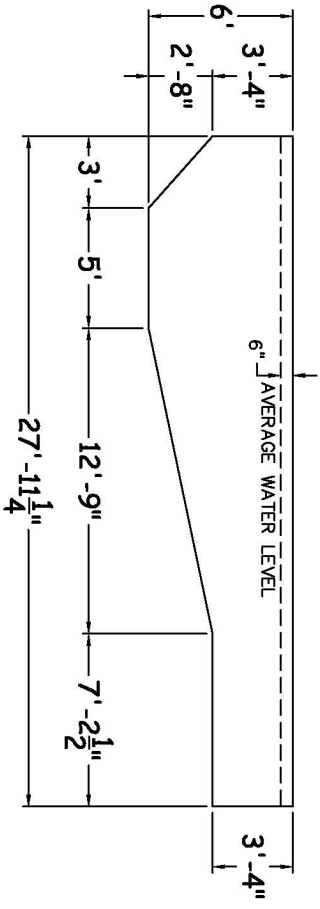


A-FRAMES LOCATED AT  
PANEL JOINTS AS SHOWN



CLASSIC STEEL

16-0 X 12-0 X 27-11 CELEBRITY LEFT



PART#: ISK-CB-1628-00-STD

SURFACE AREA: (ft<sup>2</sup>): 344

PERIMETER: 73'-0"

DATE: 01/01/07

LINER AREA (ft<sup>2</sup>): 447

VOLUME (US Gal): 9,579

SCALE: 1/8" = 1'-0"

SFTY COVER AREA (ft<sup>2</sup>): 587

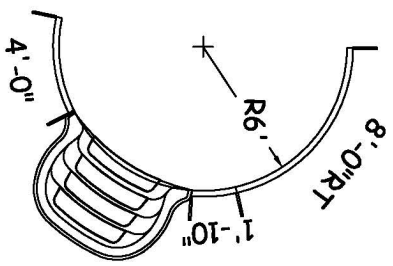
VOLUME (Litres): 36,260



NON-DIVING POOL  
USE OF DIVING EQUIPMENT  
IS PROHIBITED

MEETS DEPTH AND SHAPE MINIMUM STANDARD ANS/SP15-2003

6' STEP



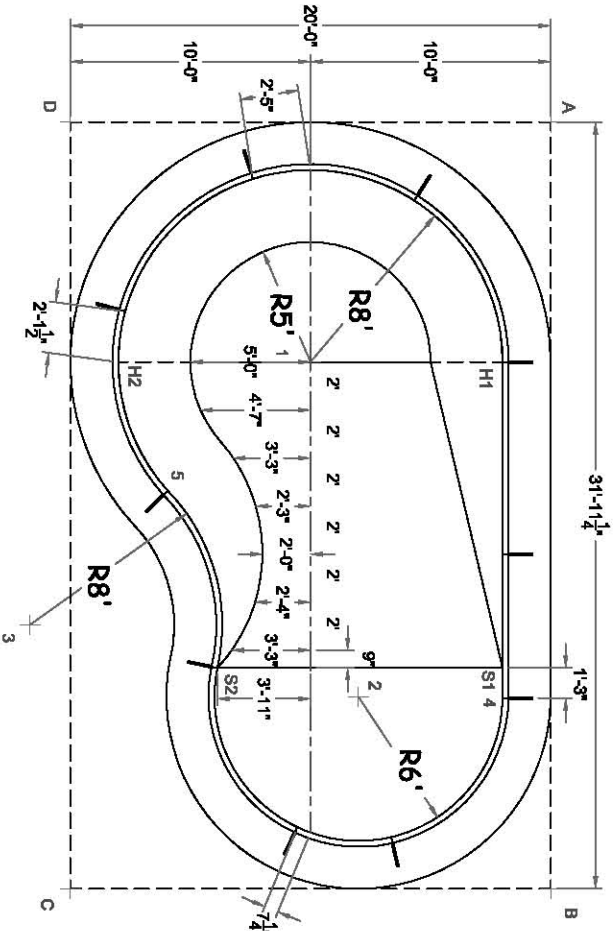
8' STEP

N/A

DWG#: CLCB00S1628L07

SHEET: 1 OF 2

**CELEBRITY**



	A	B	C	D
1	14'-1 3/4"	24'-1 1/4"	24'-1 1/4"	14'-1 3/4"
2	25'-3"	11'-3 3/4"	14'-5"	26'-9 1/4"
3	30'-1 3/4"	24'-3 3/4"	11'-1 1/2"	21'-0"
4	24'-1"	8'-2 1/4"	19'-8"	30'-0"
5	22'-1 1/2"	23'-0"	17'-1"	15'-10 1/2"
S1	22'-10"	9'-5"	20'-2 1/2"	29'-0"
S2	26'-7 3/4"	16'-7 3/4"	11'-0 1/2"	23'-6 1/2"
H1	10'-2 1/2"	22'-0 1/2"	28'-4 1/2"	20'-7"
H2	20'-7"	28'-4 1/2"	22'-0 1/2"	10'-2 1/2"
A	-	31'-11 1/4"	37'-8 1/4"	20'-0"

DIAGONALS	
1 TO 2	14'-1"
1 TO 3	16'-0"
1 TO 4	16'-1 1/2"
1 TO 5	8'-0"
1 TO S1	15'-0 1/2"
1 TO S2	13'-3 3/4"
1 TO H1	8'-0"
1 TO H2	8'-0"
2 TO 3	14'-0"
2 TO 4	6'-0"
2 TO 5	11'-8 1/4"
2 TO S1	6'-1 1/2"
2 TO S2	6'-0"
2 TO H1	15'-2 1/4"
2 TO H2	17'-2"
3 TO 4	19'-11"
3 TO 5	8'-0"
3 TO S1	19'-9"
3 TO S2	8'-0"
3 TO H1	22'-6"
3 TO H2	11'-6 1/2"
4 TO 5	16'-4 3/4"
4 TO S1	1'-3"
4 TO S2	11'-11 1/4"
4 TO H1	14'-0"
4 TO H2	21'-3"
5 TO S1	15'-9 1/4"
5 TO S2	7'-8"
5 TO H1	14'-11 1/4"
5 TO H2	5'-8 3/4"
S1 TO S2	11'-10 1/2"
S1 TO H1	12'-9"
S1 TO H2	20'-5 1/2"
S2 TO H1	17'-5"
S2 TO H2	13'-4 3/4"
H1 TO H2	16'-0"

BILL OF MATERIALS	STEP		
DESCRIPTION	NO	6"	8"
8-0" STRAIGHT - HS10850M	1	1	-
8-0" STRAIGHT - PLAIN	1	1	-
8-0" X 8-0" RADIUS - PLAIN	2	2	-
8-0" X 8-0" RADIUS - HR	1	1	-
7-0" X 8-0" RADIUS - PLAIN	1	1	-
8-0" X 6-0" RADIUS - PLAIN	1	-	-
1'-10" X 6-0" RADIUS - PLAIN	-	1	-
8-0" X 6-0" RADIUS - HR	1	1	-
4-0" X 8-0" RADIUS - PLAIN	1	1	-
8-0" X 8-0" REV RAD - PLAIN	1	1	-
A-FRAME	10	11	-
HARDWARE STRAIGHT 150 PACK	2	2	-
REBAR, STAKE 18 IN. (25 PACK)	1	1	-
OPTIONAL DECK SUPPORT	28	27	-